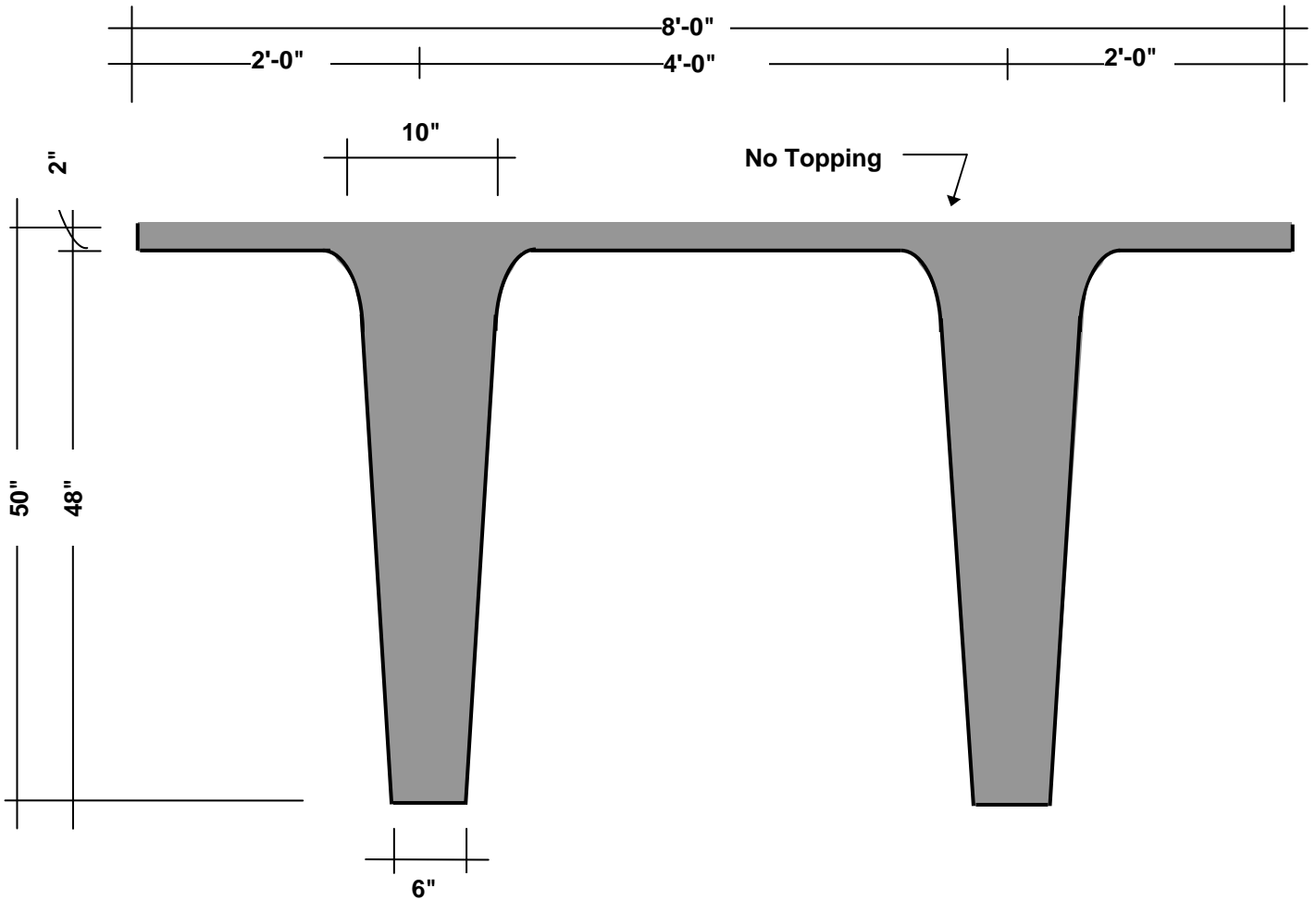




# 50" DOUBLE TEES 8' WIDE

Section Properties	Non-Composite
A (in <sup>2</sup> )	960
i (in <sup>4</sup> )	22500
y <sub>b</sub> (in)	30.6
St (in <sup>3</sup> )	11634
Sb (in <sup>3</sup> )	7376
Normal Weight (150 pcf)	125 psf 1000 plf



Contact Coreslab Structures for allowable loading conditions with these deep double tee sections.